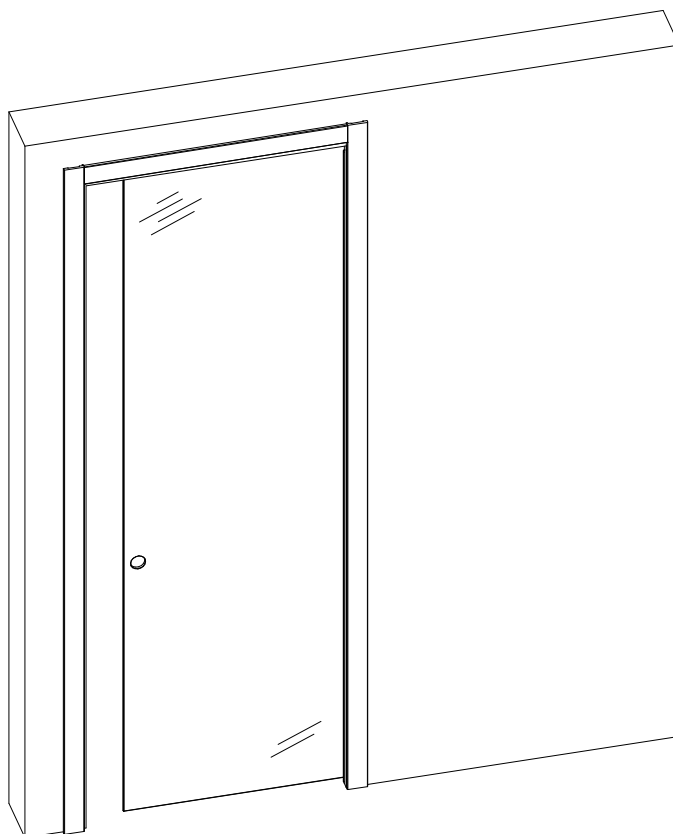


Ermetika[®]
I N S I D E W A L L S



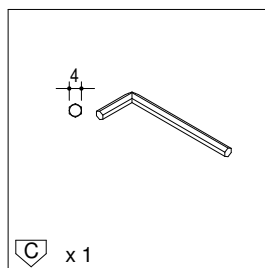
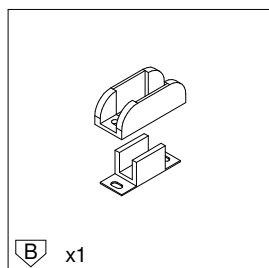
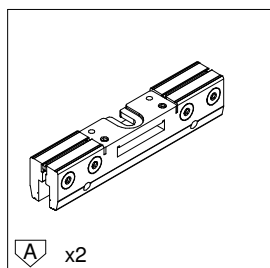
**ISTRUZIONE DI MONTAGGIO
SETUP INSTRUCTION
INSTRUCTION MONTAGE
INSTRUCCIONES DE MONTAJE**

MOD. KIT PINZE PER ANTA VETRO

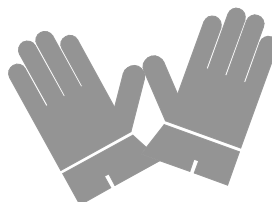
A.776.14

CONTENUTO KIT | CONTENTS

Dotazione - Standard equipment - Equipement standard - Equipo standard

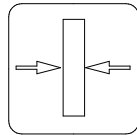


Attrezzatura - Tools - Outils - Herrajes



CONTENUTO KIT | CONTENTS

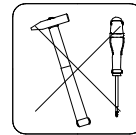
Panoramica - Overall view - Vue d'ensemble - General



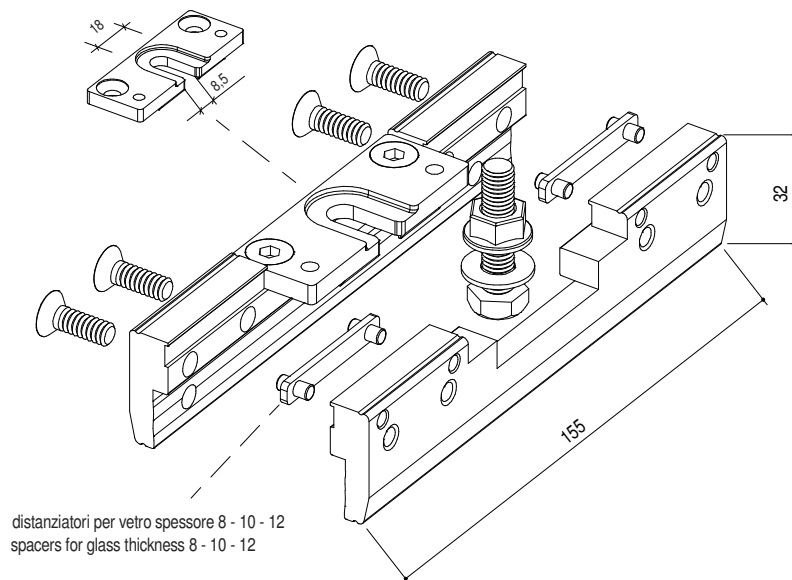
8 ~ 12 mm



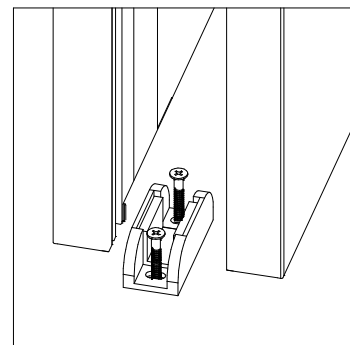
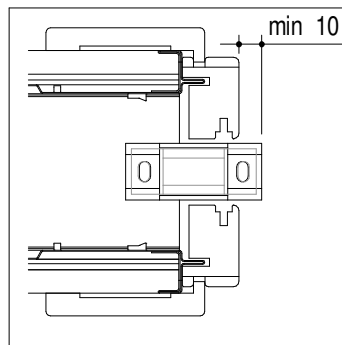
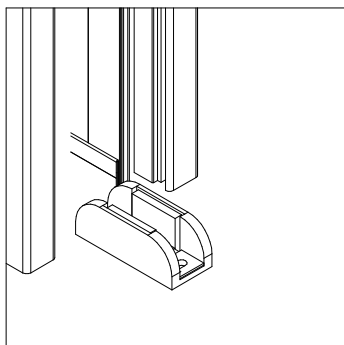
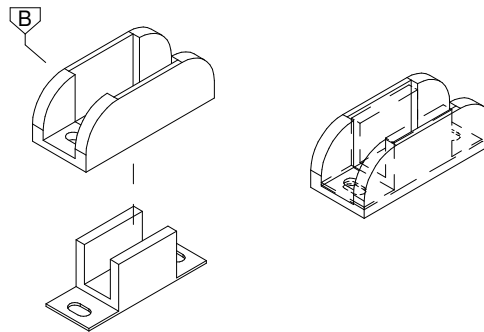
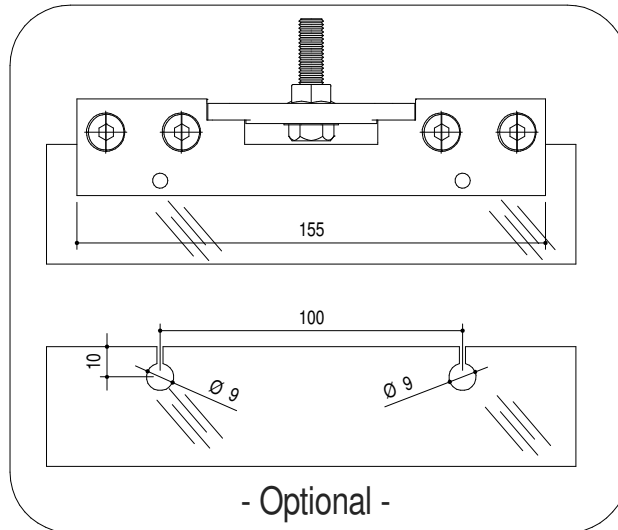
250 KG



EASY



1.1



1.2

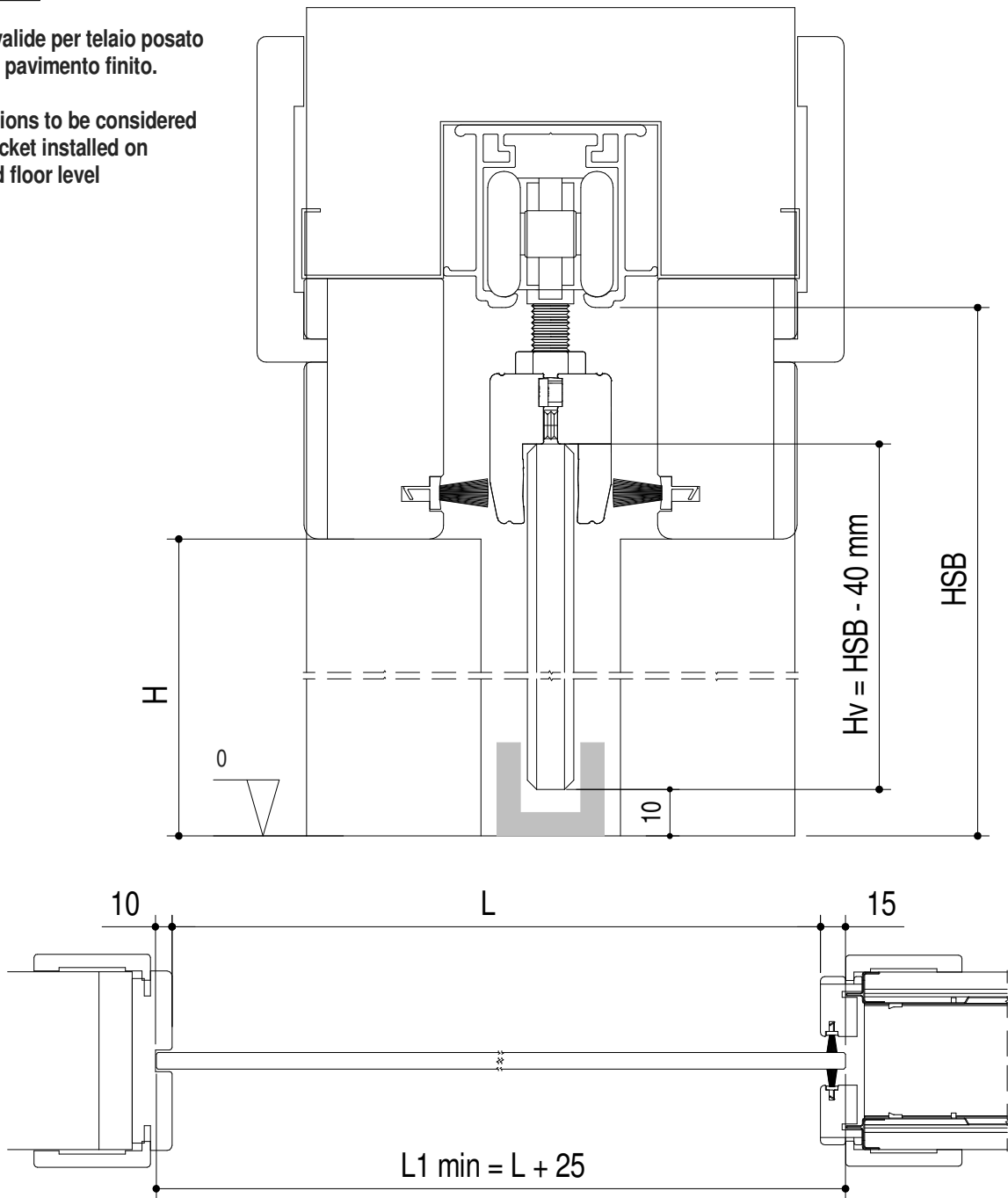
$$H_v = H + 10 \text{ mm}$$

$$H_v = HSB - 40 \text{ mm}$$



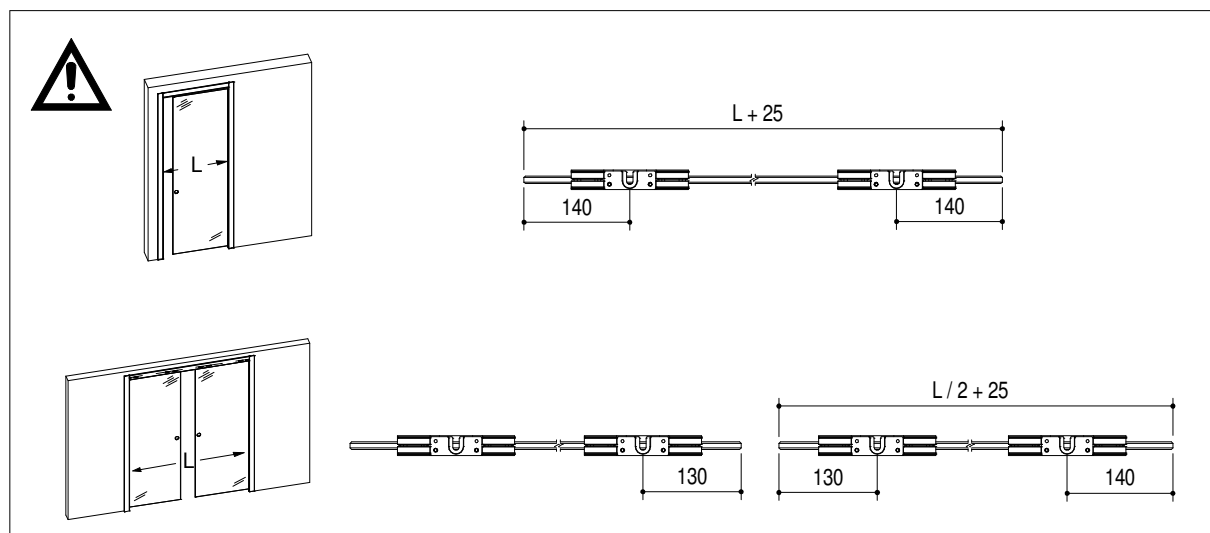
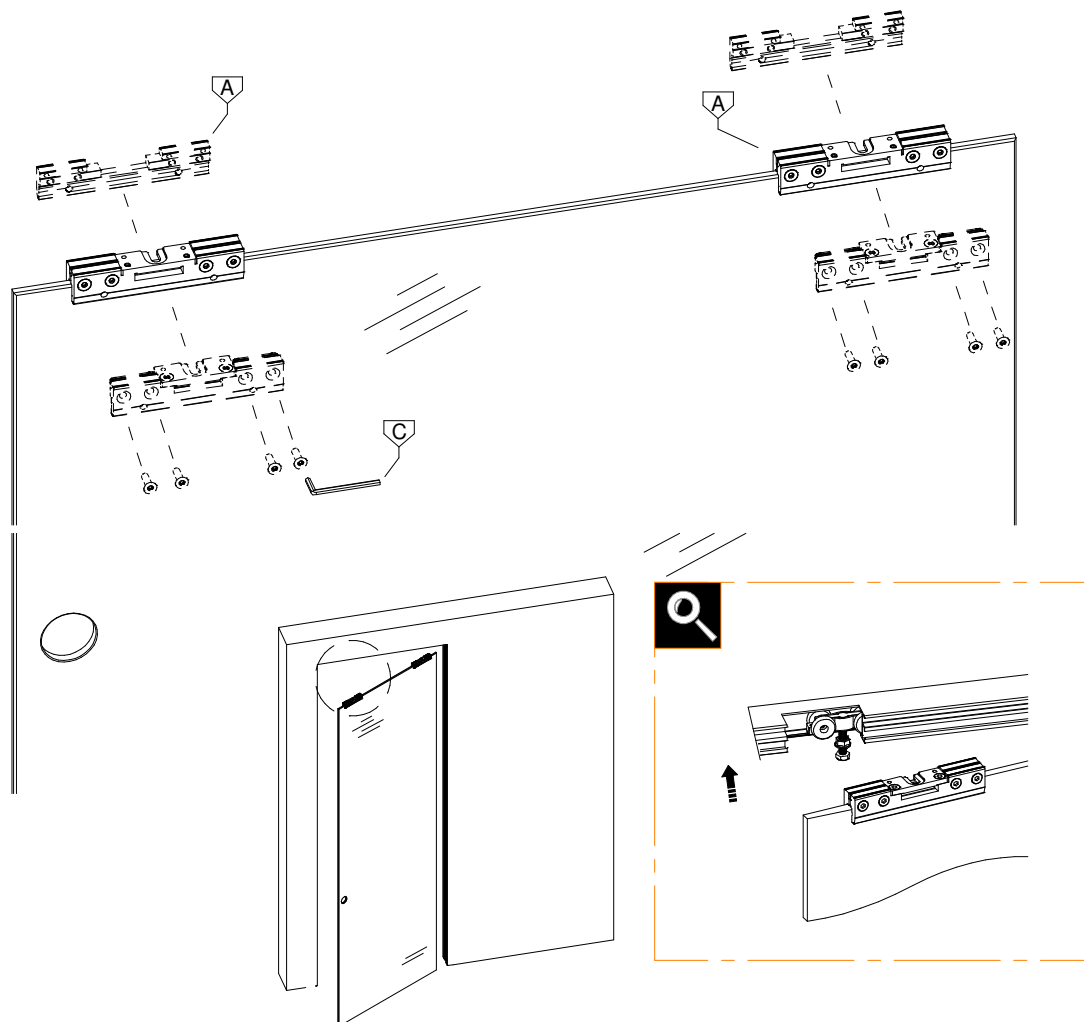
Quote valide per telaio posato a quota pavimento finito.

Dimensions to be considered with pocket installed on finished floor level



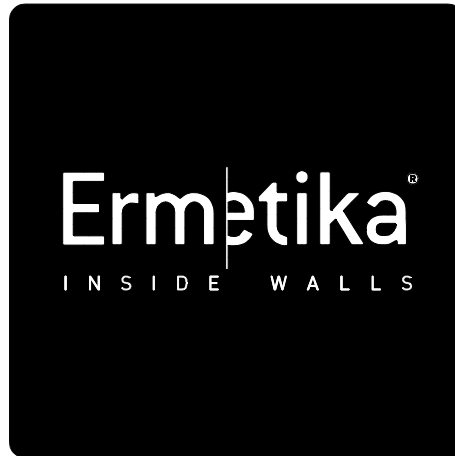
Subject to misprints, errors and technical modifications.
All dimensions are in mm

1.3



NOTE

Subject to misprints, errors and technical modifications.
All dimensions are in mm



T. +39 (0)883535781



info@ermetika.it



www.ermetika.it



<https://www.youtube.com/c/ermetikasrl>